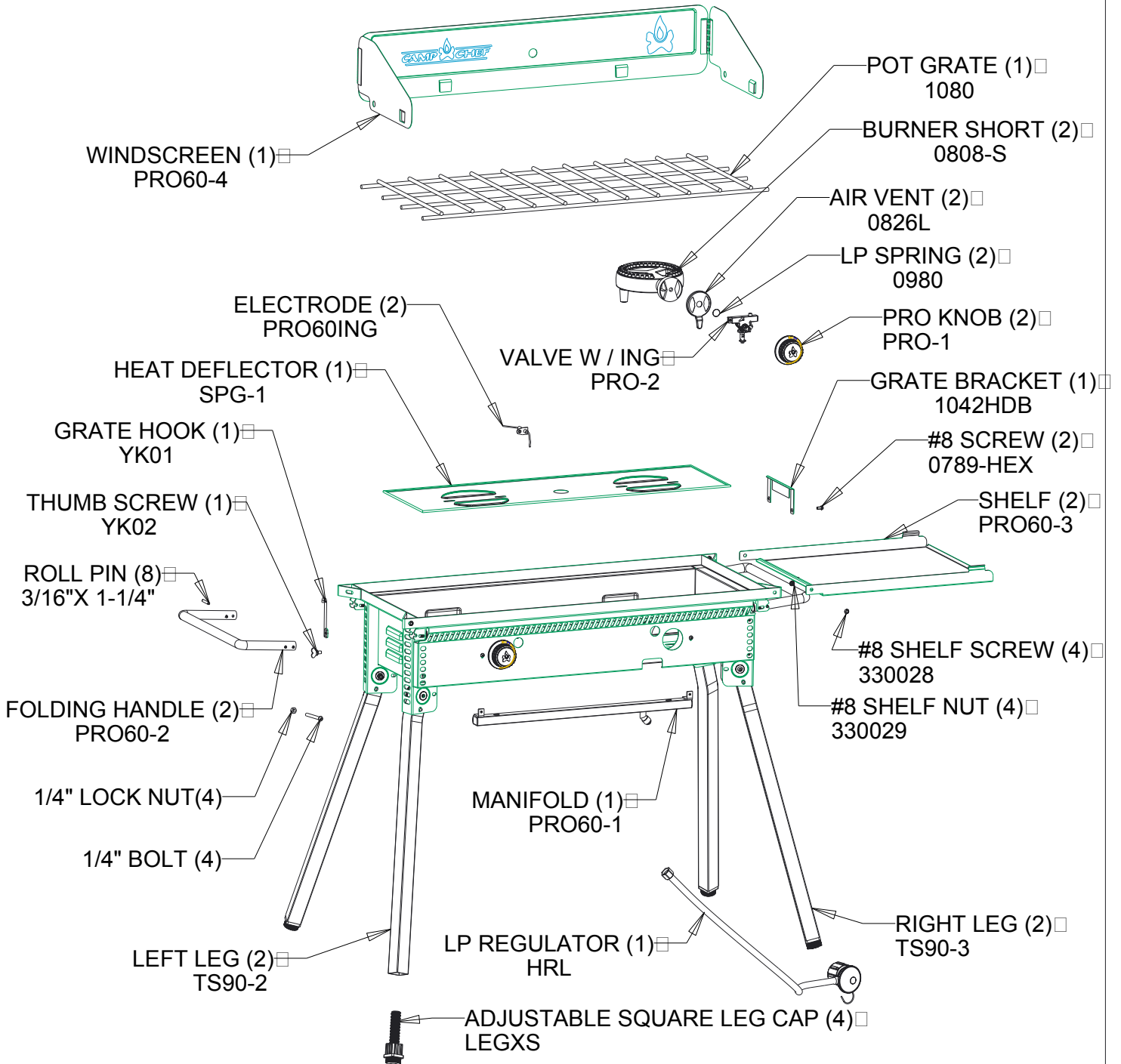


PRO60X-2 PARTS LIST



Rotate handle up and push in to lock into position as shown. □

Warning - Ensure pins in handle are secured in front and rear brackets before folding shelf into position. □

Fold shelf over to rest on handle. □

Warning - Max shelf capacity is 20 lbs. □

Note - Handle and shelf may be folded down when not in use. □

